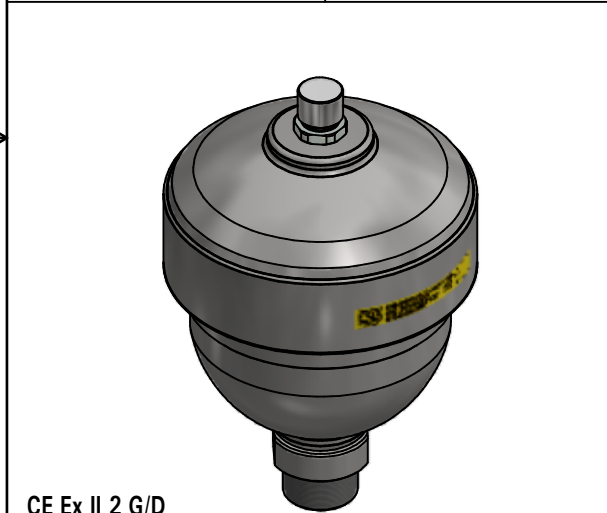
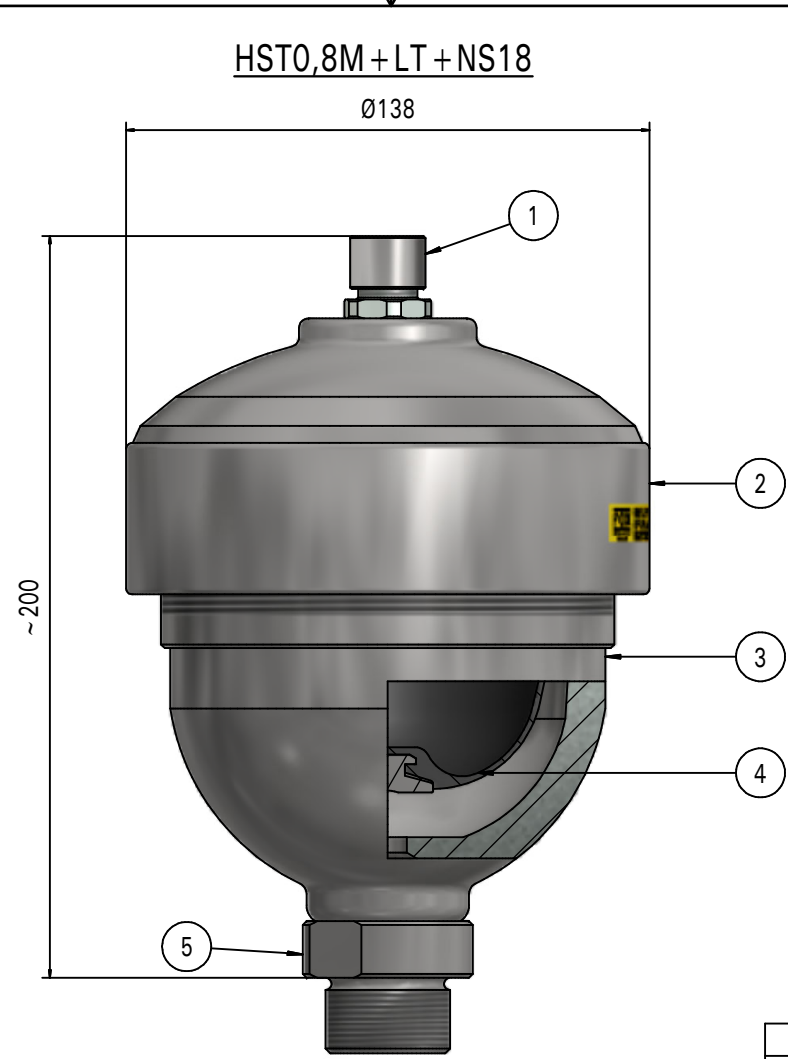


MODEL Modello	HST0,8/M33-12
DESIGN CODE Codice di progetto	ASME VIII Div.1 Ed. 2015
DESIGN PRESSURE Pressione di progetto	300 barg
MAWP Pressione massima ammissibile	as design pressure
TEST PRESSURE Pressione di prova	390 barg
DESIGN TEMPERATURE Temperatura di progetto	+ 90 °C
MDMT Temperatura minima	-40 °C
CAPACITY Volume	0,8 L
EMPTY WEIGHT Peso a secco	~ 6 kg

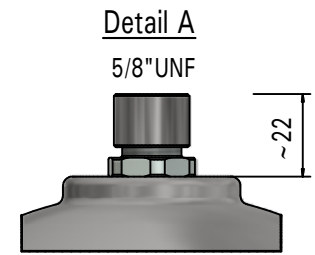


CE Ex II 2 G/D
 According to:
 97/23/CE - PED
 94/9/CE - ATEX Group II cat 2
 CU-TR
 SELO (China)

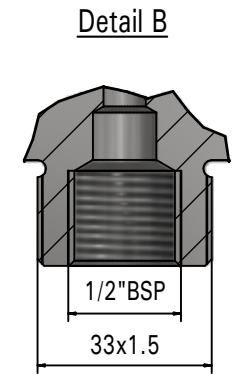
Pos	Type	Description	Service
A	THREADED	5/8"UNF	N2 GAS FILLING VALVE
B	THREADED	M33x1.5	PROCESS PORT



BILL OF MATERIALS / Distinta materiali			
Pos.	Q.ty	Description	Material
1	1	Nitrogen valve	Carbon steel
2	1	Top Head	Carbon steel
3	1	Shell/Bottom Head	Carbon steel
4	1	Bladder	NBR-LT
5	1	VS18-M33-12	Carbon steel



if required
M28x1.5 is
available as
option

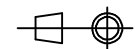


REV	DESCRIPTION	DATE	ISSUED
0	Issue for approval	27/04/17	FOX Srl

REVISION HISTORY	
DESCRIPTION:	SCALE:
DIAPHRAGM ACCUMULATOR HST0,8/M33-12	

	Date	Name:
DRAWN:	27/04/2017	E.L.
CHECKED:		
APPROVED:		

ALL DIMENSION ARE IN MILLIMETER
EXCEPT WHERE OTHERWISE NOTED



FOX S.r.l.
Via Romagna 6
20090 Opera (MI)
ITALY



DRAWING No/FILE NAME	SHEET
HST0,8-M33-12	1 OF 1

CONNECTIONS LIST / Lista delle connessioni

THIS DRAWING IS PROPERTY OF FOX S.r.l. COPYRIGHT , PATENTS AND ALL INDUSTRIAL PROPERTY RIGHTS RESERVED